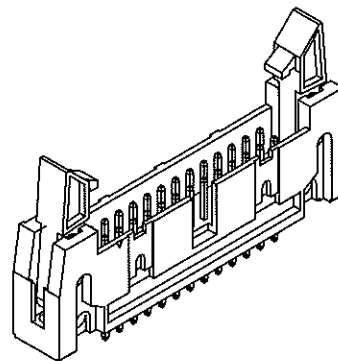
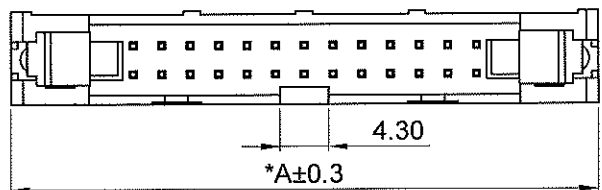
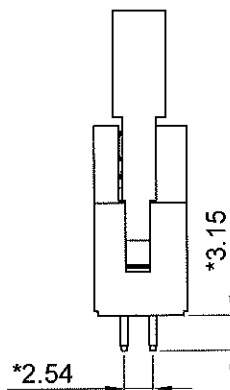
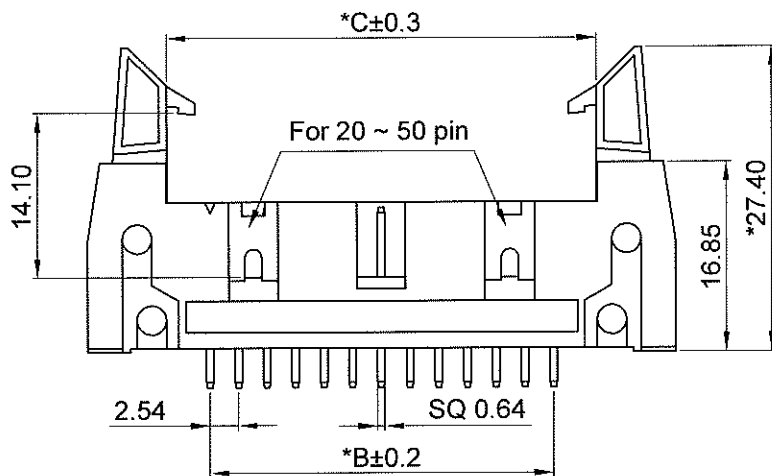


HSF  
Compliant



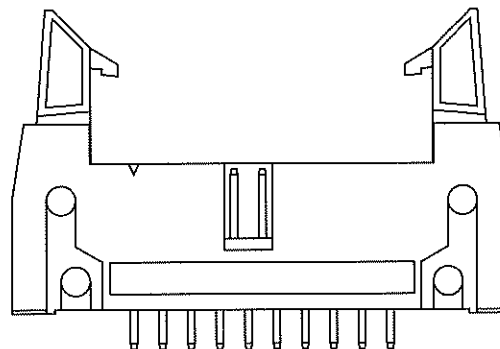
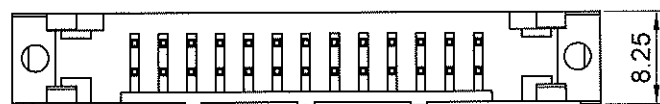
Specifications

Current Rating : 3 A  
 Insulation Resistance : 5000 MΩ min.  
 Dielectric Withstanding : AC 1000V  
 Operating Temperature : -25°C ~ +85°C  
 Contact Material : Brass  
 Insulator Material : PBT, UL 94V-0 (Black)  
 Finish : 0.6μ" Gold plated on contact area  
 Packing : Tray



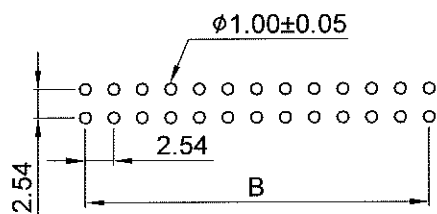
LH1SA0xxGFAx000V

Color  
 A : Black (standard)  
 G : Blue  
 No. of contacts



10P, 12P, 14P, 16P

No. of contacts	Dimensions		
	A	B	C
10	31.90	10.16	18.00
12	34.60	12.70	20.54
14	36.98	15.24	23.08
16	39.52	17.78	25.62
20	44.60	22.86	30.70
24	49.68	27.94	35.78
26	52.15	30.48	38.32
30	57.40	35.56	43.40
34	62.38	40.64	48.48
40	70.00	48.26	56.10
50	82.70	60.96	68.80



Recommended P.C.B. Layout

**JAWS** 兆旭股份有限公司  
JAWS CO., LTD.



THIRD ANGLE  
PROJECTION

DESIGN UNITS  
■ mm □ INCH

TITLE:  
2.54mm Latch Header W / Long Ear

GENERAL TOLERANCES:

DRAWN

林峻吉

DATE

2012/10/08

SIZE:

A4

SCALE:

FREE

SHEET:

1/1

PARTS NO.:

LH1SA0xxGFAx000V

±0.20

CHECKED

Wang

DATE

2012/10/08

CPN :

DWG NO.:

JAWS-SOP-LH005

REV.

01

APPROVED

Wang

DATE

2012/10/08

DAN NO.: S10110-026

7F, NO.31, Ln. 169, Kangning St., Xizhi Dist.,  
New Taipei City 221, Taiwan (R.O.C.)  
TEL: 886-2-2692-2898  
FAX: 886-2-2692-2618  
Http://www.jaws.com.tw